

Nippon Sharyo Earth Drill ED4000 Top Roller



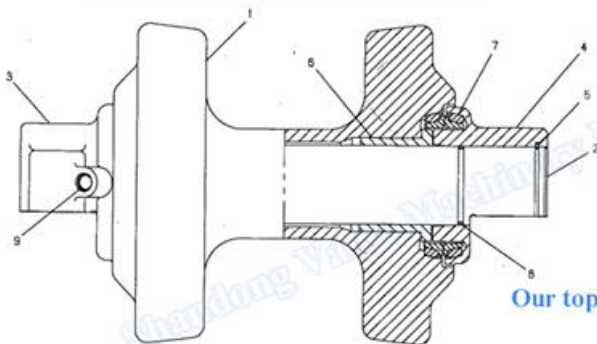
Nippon Sharyo ED4000 Earth Drill Top Roller /Upper Roller /Carrier Roller Specification:

Technology	Forging
Feature	Heat treated, Tempering Track Roller
Material	40Mn2,50Mn
Application	Sumitomo Pilling Rig/Earth Drill
Delivery	About 2-15 days after receiving formal order
Package	Pallet or Plywood Crate
Payment terms	T/T(Telegraphic Transfer),L/C at sight, Western Union

1. Nippon Sharyo ED4000 Pilling Rig Upper Roller Assembly

1). Our Upper roller assembly includes Roller, Pin, Collar, Ring, Bushing, Seal, Floating, O-Ring, Plug.

Top Roller/Upper Roller Assy

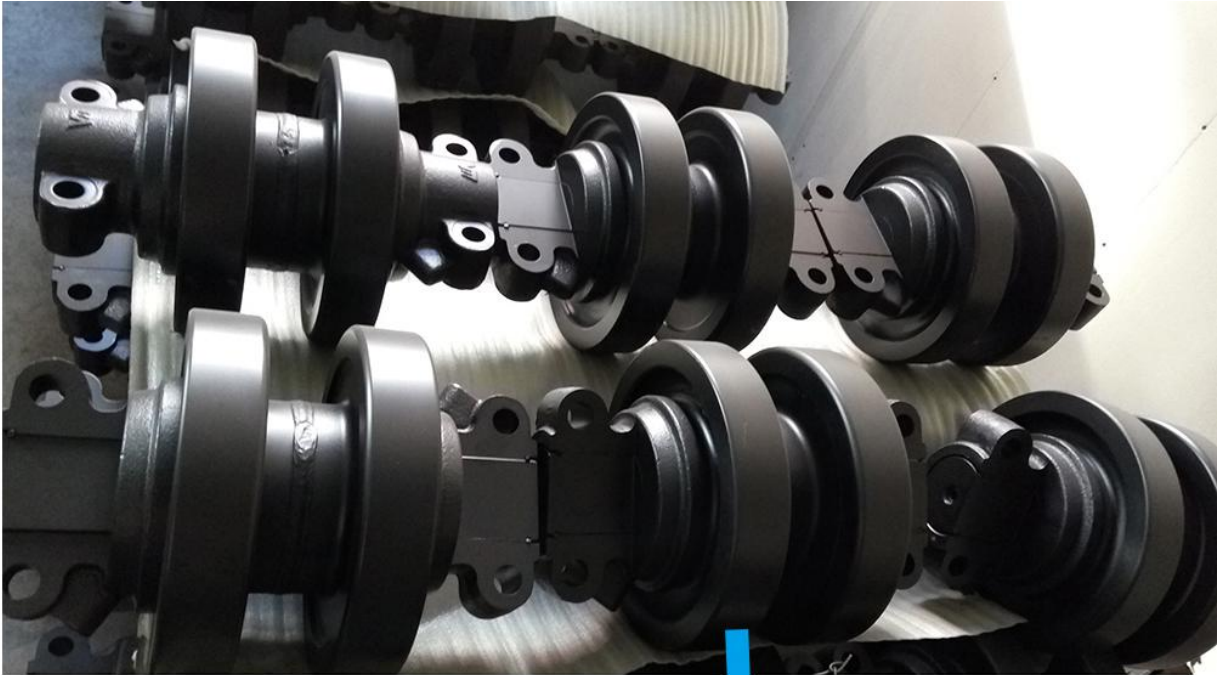


ITEM	部品番号 PART No.	PART NAME	部品名	数量 QTY
	J364000002F1	ROLLER ASSY, UPP	0-3 7x27, 7x27	1
1	J364001006P1	ROLLER	0-3	1
2	2419M30	PIN	ピン	1
3	2416N187001	COLLAR	軸-	1
4	2416N187002	COLLAR	軸+	1
5	R16T0382	RING	ワザ	4
6	2405P200C1	BUSHING	ブッシュ	2
7	Z058F09532	SEAL, FLOATING	ウ-ス, 浮動ウ-ス	2
8	Z011G06000	O-RING	O-ワザ	2
9	Z182T04000	PLUG	プラグ	2

Our top roller assembly include all listed parts: 1, 2, 3, 4, 5, 6, 7, 8, 9.

2. Package information and Details:

Generally, Nippon Sharyo ED4000 Pilling Rig top rollers are packed in Pallet.



Roller Package



PACKAGE & DELIVERY



3 Pallets/Package



Each Pallet Covered With Thin Film and Sticker



Parts in the Container



Parts are delivered to Port

FAQ

Q Does the track roller and pin have heat treatment?

- Yes, all the track roller and pin undergo heat treatment, hardening and tempering.

Q What is the warranty period of the track roller?

- Track roller warranty period is 2000 working hours.
- After delivery, we will issue quality certificate. If the track roller are damaged under normal use in warranty period, new one will be send to you as soon as possible.

Q How long is the delivery time?

- We have parts storehouse covered the area of 3000m².
- Most parts are available in stock. If no stock, we will delivery the parts in 15-25 days after getting your final purchasing order.

Q Do you provide samples?

- Yes, we can offer part samples, but the cost shall be borne by you.

Q Can you produce parts according to sample or drawing?

- Yes, our engineers have rich experience in undercarriage parts, they will choose the suitable material and production technology for you.

Shandong Value Machinery Manufacture Co.,LTD

Add : NO.1 Tianzheng Road,Laishan District,Yantai City,Shandong Province,China

Tel : +86 535 6710636

Fax : +86 535 6710836

E-mail : info@valuetrackpart.com

Website : www.valuetrackparts.com